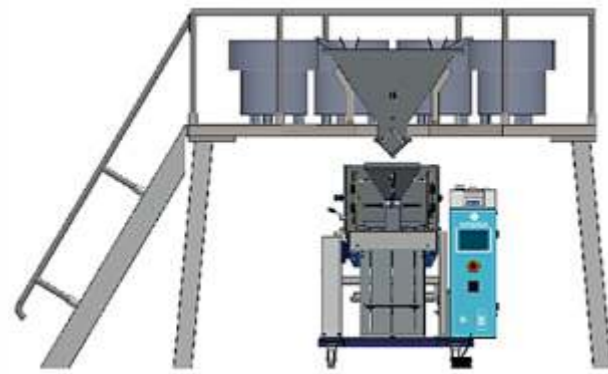


## Custom Integration for System Matched Bags



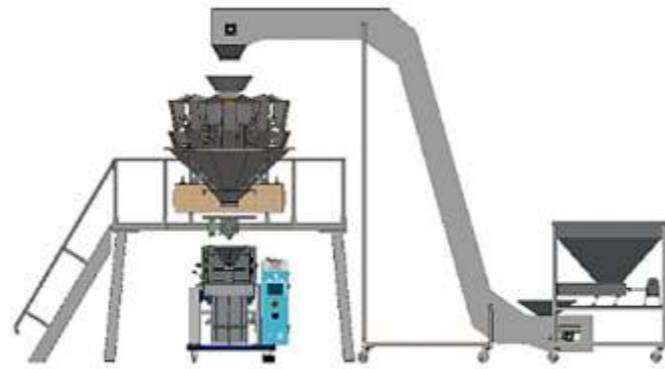
Vibrator & Hopper Mounting  
for Individual / Combo Packaging



Thermal Printed Label Applicator



Thermal Printing Directly on the Film

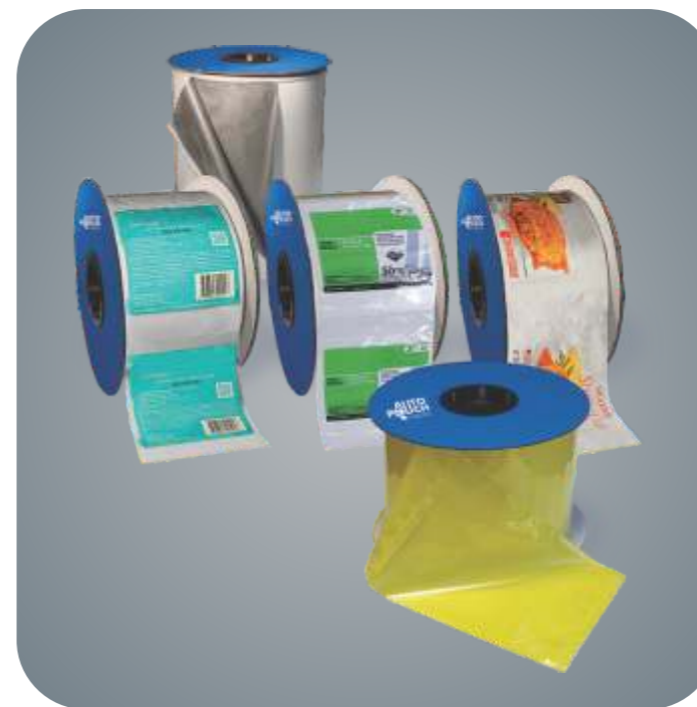


Weigh Checker & Hopper Mounting  
for Individual / Combo Packaging

## Bag Application Samples



*Pre-opened Roll / Stacked Bags  
for Bagging machine*



## JAYALAKSHMI POLY PACKS PVT. LTD.

Manufacturers of Plastic Speciality Polyfilms & Protective Packaging Products

Plot No. 86, KIADB Industrial Area, 2nd Phase, 2nd Sector,  
Bidadi, Bangalore-562109. Karnataka. India

Office : +91-96864 50096 Factory : +91 80 2974 0696, 96864 50095

E-mail: sales@jlpp.co.in / salesco@jlpp.co.in [www.jlpp.co.in](http://www.jlpp.co.in)

Distributors in : Gujarat, Haryana, Maharashtra, Rajasthan, Delhi, Uttar Pradesh, Madhyapradesh,  
Telangana, Andhrapradesh, Tamilnadu, Kerala, Pondicherry, West Bengal.



## Markets Served

- Aerospace & Defense
- Apparel & Accessory
- Electrical
- Automotive
- Electronics
- Hardware & Fasteners
- Healthcare
- Hobby & E-Commerce
- Products
- Personal Products
- Pet Products
- Toys

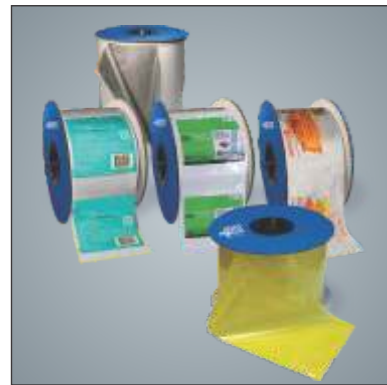


Our ATO-POUCH® Pre-opened bags are separated by perforations with a one-sided opening for manually hand filling or using an Automatic Bagger Ideal for high-volume packaging operations. after market, private labels and the OEM/OES market lowering total cost of Consumables.

**The following are some of the most common ones.**



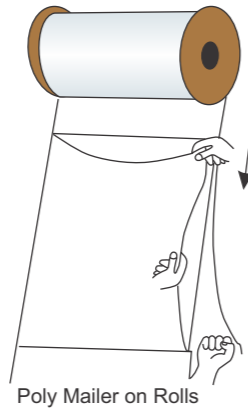
Duplex : Clear/White



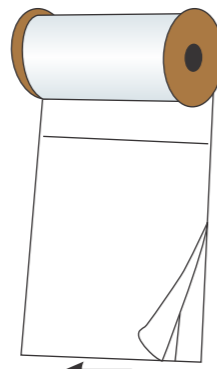
Customized & Printed Bag



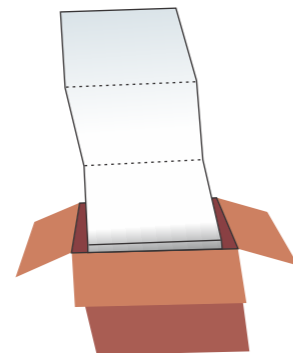
Poly Mailers in Rolls



Poly Mailer on Rolls



Returnable Bag on Rolls



Poly Mailer in Box

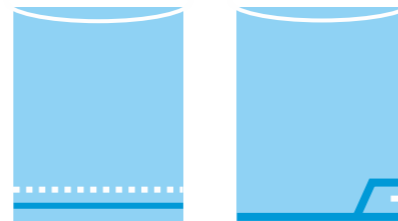
**Hang Hole**



Standard

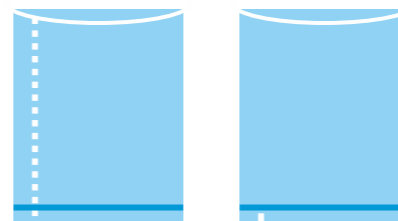
Euro Hole

**Perforations and Notches**



Horizontal Perforation

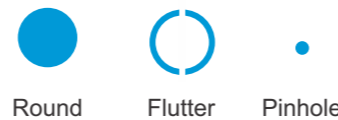
ISO Tear Notch



Vertical Perforation

Vertical Tear Notch

**Vent Hole**



Round

Flutter

Pinhole

# MACHINE TECHNICAL SPECIFICATION

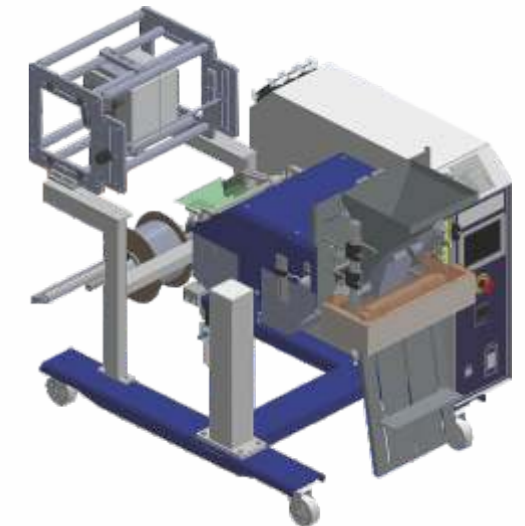


**SEMI AUTOMATIC TABLE / TROLLEY MOUNTED FOR SMALL BAGS**

SI No	MODEL: APM-250	Units
1	Bag size in Inches	2 x 3 to 10 x 16
2	No Of Bag Speed / Minute	2 - 10
3	Printer Compatibility	Ink Jet / Ribbon type
4	Vibrator & Counter Compatibility	Yes
5	Weigh Checker & Silo Compatibility	Yes
6	Bar Code Scanner Compatibility	Yes
7	Compressed Air Pressure & Req	6 - 8 / 50 - 400
8	Power Consumed & Voltage	0.5 - 3.0 / 220 - 240
9	Pneumatic Parts	FESTO
10	Electricals & Automation Parts	Schneider & Panasonic
11	Capacitive Sensors	Pepperl + fuchs
12	Dimensions - L x W x H in Inches	32 x 26 x 43

**AUTOMATIC MACHINE FOR SMALL & MEDIUM BAGS**

SI No	MODEL: APM-275	Units
1	Bag size in Inches	3 x 4 to 11 x 20
2	No Of Bag Speed / Minute	2 - 10
3	Printer Compatibility	Ink Jet / Ribbon type
4	Vibrator & Counter Compatibility	Yes
5	Weigh Checker & Silo Compatibility	Yes
6	Bar Code Scanner Compatibility	Yes
7	Compressed Air Pressure & Req	6 - 8 / 50 - 400
8	Power Consumed & Voltage	0.5 - 3.0 / 220 - 240
9	Pneumatic Parts	FESTO
10	Electricals & Automation Parts	Schneider & Panasonic
11	Capacitive Sensors	Pepperl + fuchs
12	Dimensions - L x W x H in Inches	61 x 38 x 43



**ROLL / STACKED-BAGS LOADER & CONVEYOR FOR HEAVY & MAILER BAGS**



SI No	MODEL: APM-550	Units
1	Bag size in Inches	8 x 14 to 22 x 36
2	No Of Bag Speed / Minute	2 - 10
3	Printer Compatibility	Thermal Label / Ribbon Type
4	Vibrator & Counter Compatibility	Yes
5	Weigh Checker & Silo Compatibility	Yes
6	Conveyor Option for collection of Bags	Yes
7	Compressed Air Pressure & Req	6 - 8 / 50 - 400
8	Power Consumed & Voltage	0.5 - 3.0 / 220 - 240
9	Pneumatic Parts	FESTO
10	Electricals & Automation Parts	Schneider & Panasonic
11	Capacitive Sensors :	Pepperl + fuchs
12	Dimensions - L x W x H in Inches	63 x 34 x 56

We offer bags in a wide variety of materials and configurations ranging from stock roll / Stacked multi colour printing bags to customized bags which meet FDA/ROHS/REACH requirements.

Custom Printing is available from simple one colour to complex multi-colour printing to create the perfect bag for your product.