



Outserter

FEATURES AND BENEFITS

- Versatile standard design allows the SideWinder™ to be supplied as a stand-alone machine, provided with a conveyor, or fit over an existing line
- MGS' standard rotary motion is a proven design that creates a clean and simple picking motion and has years of field-tested experience
- Clean GMP design eliminates the possibility of lost outserts in the machine and reduces time spent in outsert count validation
- Easy-to-load horizontal powered magazine means a lower, more ergonomic magazine load height
- Open station prior to outsert placement allows for additional functions, such as bar code scanning. This capability can greatly reduce waste and rework
- Many options available such as various styles of bottle metering devices, allowing the end user to customize the machine to their specific needs

Outserter

Typical Utility Requirements

- ELECTRICAL: 230 VAC, 1 or 3 Ph, 50/60 Hz
SideWinder: 15 Amps Max
Glue System: 17 Amps Max
- AIR: 80 PSI filter and regulator provided
- VACUUM: Up To 10 SCFM At 20" HG
(if optional pump is not purchased)

Maximum Speeds

- Up to 120 BPM random cycle mode
- Up to 240 BPM continuous mode
(timing screw only)

Product Size Range

Outserts:

- Minimum: 1.13" L x 1.13" H x .13" Thick
- Maximum: 2.75" L x 4" H x .38" Thick

Target (Bottles or Cartons):

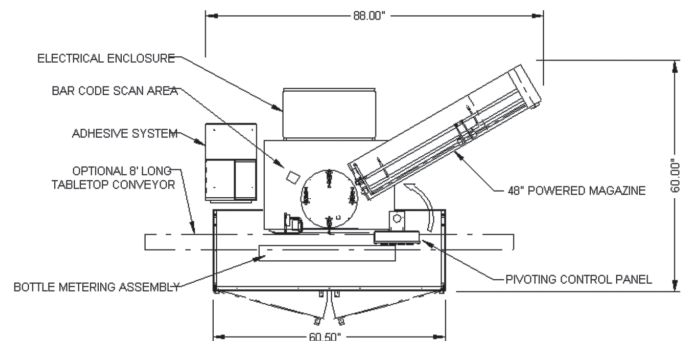
- Minimum: 1.25" A x 1.25" P x 2.63" H
- Maximum: 4" A x 4" P x 8" H
(A = Across conveyor P = Parallel to flow)

Standard Machine Features

- Four-head rotary outsert feeder
- Screw adjustable for bottle height
- Low noise vacuum pump
- Allen-Bradley MicroLogix PLC
- Allen-Bradley touchscreen operator interface
- Upstream and downstream surge control
- Missed outsert feed detector
- No bottle, no glue and no outsert control
- Nordson model ProBlue 4 adhesive system with a dual orifice gun
- FAT protocol with IQ and OQ documentation
- Electronic manuals on flash drive USB
- Complies with ANSI/PMMI B155.1 safety requirements
- Servo motor drive

Options Available

- Four, six or eight foot long powered magazines
- Low level magazine sensor
- Tabletop conveyor
- Timing screw indexer
- Bottle turning modules
- Other drive options
- Venturi vacuum system included
- Outsert presence detection
- Product reject station with reject verification
- Barcode scanner
- Casters



MGS

9900 85th Ave North, Maple Grove, MN 55369 USA

T (800) 790-0627

www.mgsmachine.com

info@mgsmachine.com

