



## → WRA-PAL SWING

### ERGONOMICS, SAFETY, PERFORMANCES

European leader in overwrapping film systems, Thimon is the only manufacturer to master every packaging technology, with techniques patented and widely referenced abroad over 40 years.

Among all processes, the stretch wrapping is the most economical on the market. Very flexible, it adapts efficiently to every type of pallets.

The WRA-PAL SWING – turn table stretch wrapping – ensures the cohesion and the waterproof quality of the load, thanks to a wrapping on 5 sides with a single 1 meter width reel.

## STRETCH WRAPPING WITH TURN TABLE: OPTIMIZED COST

→ **Respect of the product**

→ A protection adapted and guaranteed by a double control of the pre-stretch film and its lay-on force on the most delicate loads.

→ **Resistance**

→ A perfect cohesion product/pallet thanks to a film pleating system at the bottom of the pallet.

→ **Adaptability**

→ Machine capable of adjusting position and number of wrapping turns according to the product nature, whatever the dimensions are [width, length or height].

→ **Cost**

→ The best purchase value on the market for the machine and the film.

→ **WRA-PAL SWING:**

**5 sides wrapping with only one machine**

→ **Optimized ergonomics for operation and maintenance**

→ "OS Vision" touch screen terminal easy to use,  
→ easy film loading at the ground level.

→ **Respect of the load and product**

→ process of lay-on force control adjustable to any kind of load to optimize the cohesion,  
→ use of 1 meter width increasing the load cohesion,  
→ sealing system highly resistant on counter jaw, without damaging the load,  
→ sealing without trailing edge of film.

→ **Strength and wrapping quality guaranteed**

→ very high stretching capacity coupled with a very simple loading of the film,  
→ pleating system at the bottom of the load.

→ **Waterproof ensured**

→ without additional top sheet, the 5 sides waterproof cycle needs 2 to 4 turns.

→ **Maximum saving**

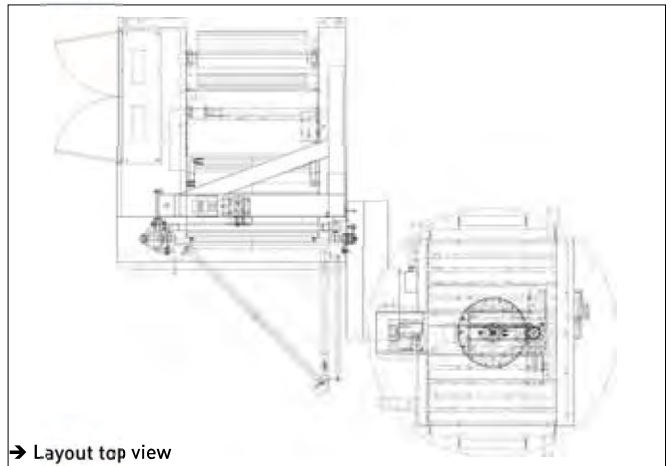
→ wrapping on 5 sides with one single reel,  
→ motorized pre stretching of the film.

→ **Optimal performance**

→ autonomy of the machine increased by using high capacity film reels.



→ Sealing very resistant



→ Layout top view



→ Easy film way



→ Film pleating at bottom of pallet

**1 THIMON**  
EXCLUSIVITY

THE TEST CENTRE  
TRAINING & RESEARCH



A TOOL AVAILABLE FOR:

- **optimizing our equipment** by testing our solutions on your products beforehand,
- **enhancing our solutions**, optimizing the pertinence of the coupling film/machine,
- **training** at any time on the WRA-PAL SWING,
- **developing new options and solutions** and evolving along with your requirements.



For any adaptation of equipment, lay-out and dimensions, please contact us.

→ **CONTACT DETAILS**

Savoie Hexapôle - Rue Louis Armand - BP 69 - 73420 Méry (France) - Tel.: + 33 (0) 4 79 61 00 44  
Fax: + 33 (0) 4 79 61 71 00 - E-mail: thimon@thimon.com - [www.thimon.com](http://www.thimon.com),