

# INTERCEPTOR<sup>®</sup> DF Metal Detector

**NEW**



**We Take Food Safety Seriously – Making it our Mission to Prevent Metal Contaminants from Reaching Consumers' Dinner Tables**

The Interceptor DF uses a simultaneous multi-frequency operation that effectively processes the transmission and reception of multiple frequencies continuously over a broad spectrum. This model was developed with a divergent field technology, which is the world's first metal detector to use multiple field directions. This greatly improves the detection of ultra-thin contaminants that are often encountered in processing lines. These innovative technologies facilitate a significant improvement in detection capabilities.

## FEATURES

- Divergent Field Technology
- Simultaneous Multi-Frequency Operation
- Broad Spectrum Frequency Transmission
- ARM Processors: Multiple Channel Signal Processing
- 100% Detection Sensitivity Increase
- Noise Immunity Structure
- Single Pass Product "Learn"
- Automatic Product Tracking
- Contact Reporter Software Included

## APPLICATIONS

- Confectionery
- Chocolate Bars
- Bakery
- Packaged Meats
- Packaged Products
- Nutritional Bars

## THE FORTRESS ADVANTAGE:

- **"Never Obsolete"** Commitment: detectors are always supported with parts and services
- Standard electronics configuration across product line allowing easy support and troubleshooting
- Modular design; have fewer components
- Custom built detectors or stock sizes
- **Simple Operation, Outstanding Reliability, Exceptional Performance**

# INTERCEPTOR<sup>®</sup> DF Metal Detector

Simultaneous  
Multi-Frequency &  
Multi-Field Direction

Broad Spectrum Frequency  
Transmission and Reception

Meets or Exceeds  
X-Ray Detection Results

Multiple Channel Signal  
Processing with ARM  
Based Processors

Single Pass Product "Learn"  
Programming Capability

Automatic Product Tracking  
Processing (Temperature,  
Shape, Size, etc.)

USB Port for access to QA  
Reports, Configuration  
and Firmware Updates

Automatic QA Testing  
and Calibration

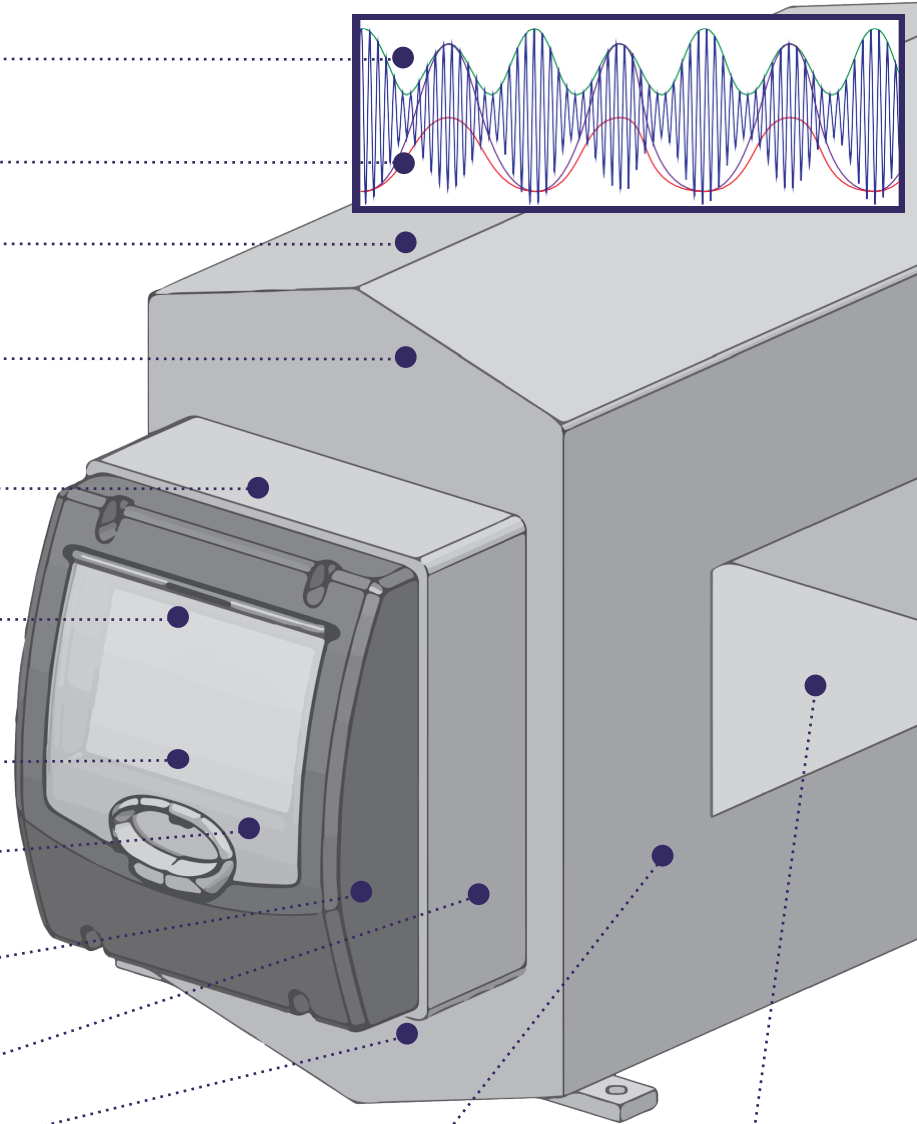
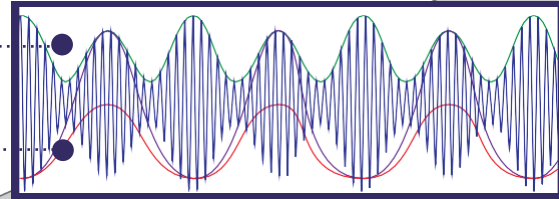
Product Library Stores  
Multiple Product Settings  
for Easy Recall

Unique Noise Immunity  
Structure Reduces False  
Rejects

Sleek Modular Design for  
Greater Reliability

Divergent Field  
Technology

Custom Aperture  
Sizes or Stock Sizes



## DETECTOR OPTIONS & SPECIFICATIONS:

Construction	Stainless Steel
BSH Extra-Rugged Casing	Vibration immunity and stability in heavy duty applications and harsh environments
Aperture Lining	Epoxy resin for heavy wash down or dry liner for wipe down applications
Rating	Stainless Steel: Nema 4X / IP69K
Remote Mounting	Display panel terminal can be mounted remotely (Up to 4,000ft / 1,200m)
Network Communications	Ethernet & WiFi via Contact Communications Software
Electrical	90-250v Single phase, 1 amp, 50-60Hz

Simple Operation. Outstanding Reliability. Exceptional Performance.

**FORTRESS**<sup>®</sup>  
TECHNOLOGY

Copyright © 2018 Fortress Technology Inc. All rights reserved. Patent Pending. The information, designs and artwork contained in this document are confidential and may not be disseminated, distributed or copied without written consent from Fortress Technology Inc. Specifications, designs, features and technology subject to change without notice.