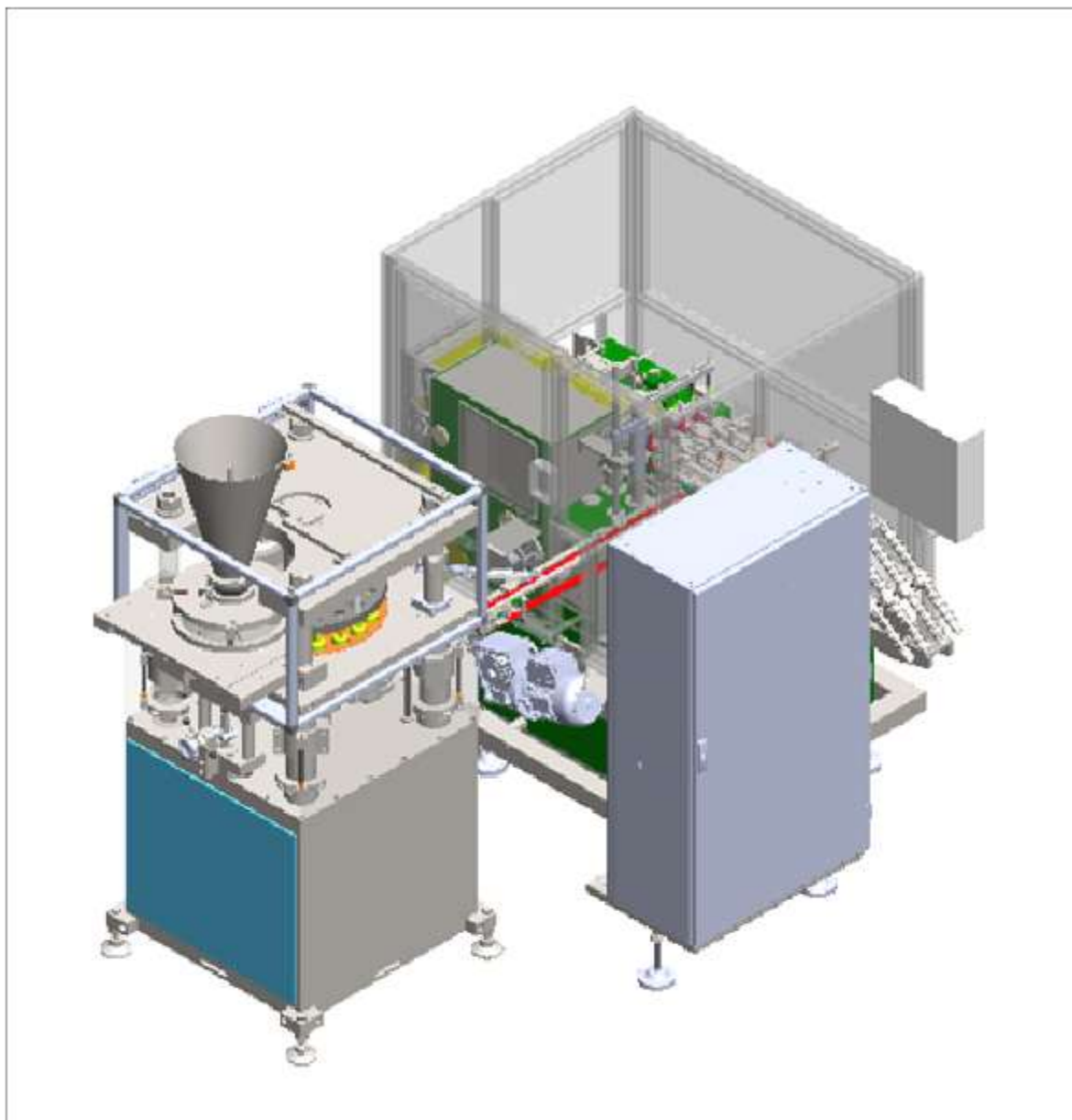


*Type – P 186 + W 46*

*Packaging line – Press and Wrapping*

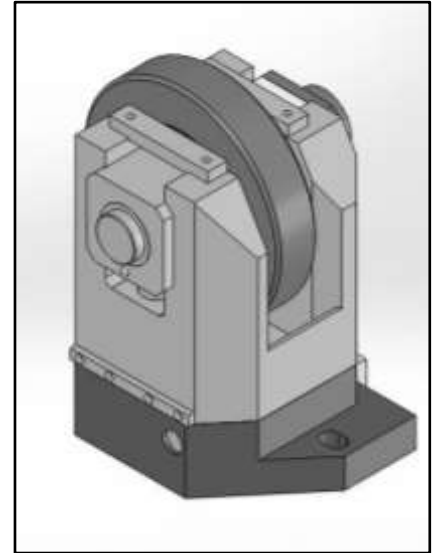


*Product – hard tablet and cube*

*Production capacity – up to 600 cubes / minute (\*)*

### DAKY P 186 technical details

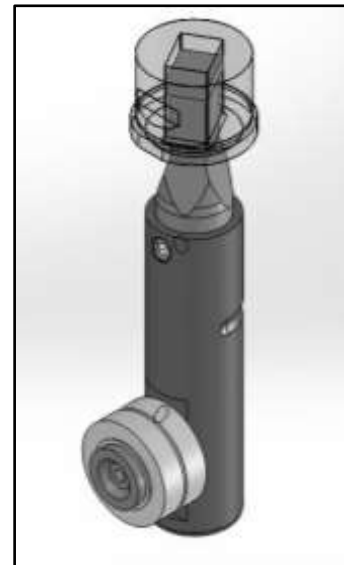
- Press machine studied for rectangular product like tablet with flat bottom
- Number of puncher 18
- Capacity max 600 stock cubes /minute
- Oil bath for mechanical equipment inside the machine structure
- Power required 6 kW
- Powder inlet for the hopper
- Cubes comes out by chute
- Exit chute is equipped with gate to discharge cubes
- Machine works with a motor served by inverter
- Touch screen operator panel
- In case of powder lack machine stops
- Sound of phase to remove punchers
- Speed controlled by operator panel
- Production monitoring with statistic value
- Machine equipped with safety protection according to UE roles



Compression roller



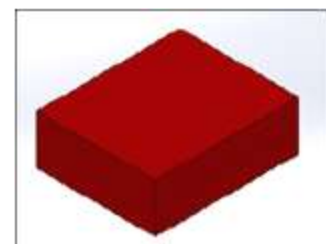
Curve cam path



Puncher

### Stock cubes characteristic:

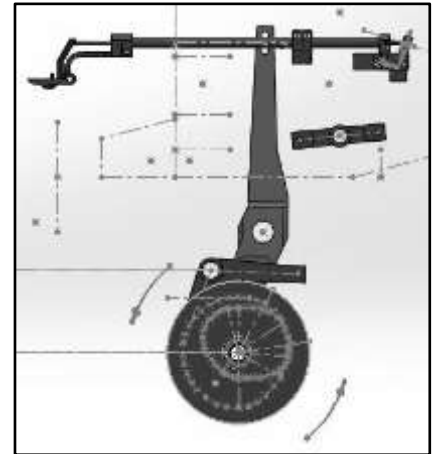
- Size of the stock cubes **(24 x 29 x 10) mm**
- Weight 10gr
- Dimension of product admitted +/- 0,1 mm



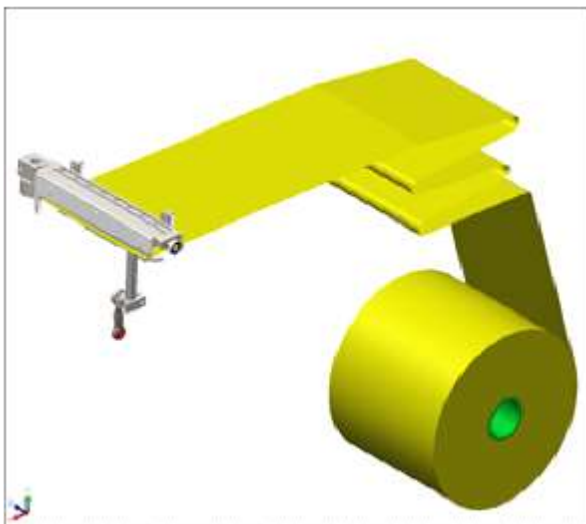
Stock cubes

## DAKY Wrap 46 technical details

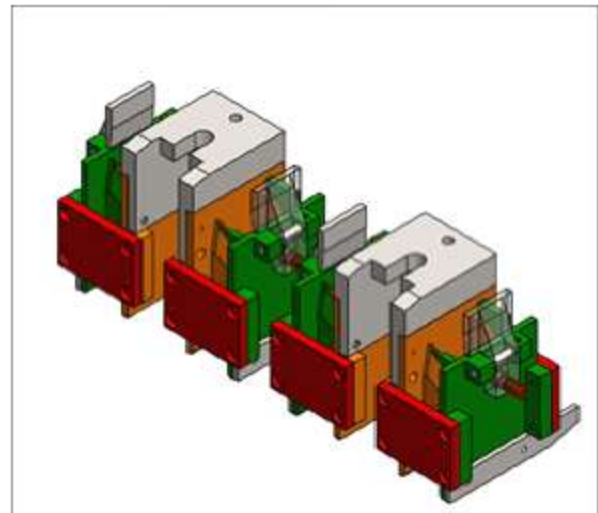
- Wrapping machine studied for rectangular product like tablet with flat bottom
- Capacity max 600 stock cubes /minute (\*)
- Machine equipped with twin folding box
- Oil bath for mechanical equipment inside the machine structure
- All movement is drive by cam
- Cutting made with guillotine
- Power required 4 kW
- Cubes feeding in one row on the long side
- Machine equipped with four heads that active four wrap cycle
- Wrapping product automatically sealing
- Machine works with a motor served by inverter
- Machine speed controlled by sensors installed on the in feed belt
- Touch screen operator panel
- In case of product lack machine stops
- In case of finish paper machine stop
- Sound of phase to open the paper door
- Electronic control of the temperature paper sealing
- Speed controlled by operator panel
- Production monitoring with statistic value
- Machine equipped with safety protection according to the UE roles



Curve cam study



Cutting system with guillotine



Folding box

*Line lay out*

P 186 + W 46

