

Creasing and folding in one pass



>> Advantages at a glance

- Fully automatic setting
- Operation via touch screen panel
- Processing in one pass for minimization of markings
- No intermediate stacking before folding
- Greater accuracy, because sheets are aligned before and after the creasing process
- High productivity and minimum set-up times
- High flexibility because the components are installed on a rail system

Multi flexible inline system

A typical problem when folding digital prints or other delicate materials is the cracking of the toner layer along the fold line. The cause of this phenomenon is not the folding process or the applied technique, but the physical characteristics of toner and paper.

Creasing along the fold line can considerably reduce or even avoid the cracking of the printing ink. With the creasing technology of the Pit Stop models, the material is gently compressed because stretching of the paper fibres is avoided. This principle effectively prevents a flaking of the toner or tearing of the paper, thus ensuring optimal finishing after the print.

The combination of the Pit Stop creasing and perforating machines with the folding systems from MB Bauerle allows efficient inline processing when products have to be creased before folding. MB folding systems of the model series prestigeFOLD NET, multimaster and multipli can be combined with the Pit Stop creasing machines.

Typical products are for example:

- Laminated brochures or leaflets
- Mailings
- Book covers
- Tear-off coupons



AUTOMATION FOR EFFICIENCY. ■

Multi flexible inline system

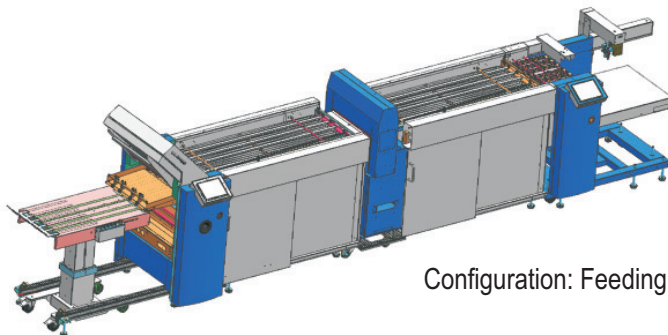
>> Creasing and folding in one pass allows an efficient processing

For this type of products MB Bäuerle has developed an inline system for flexible applications.

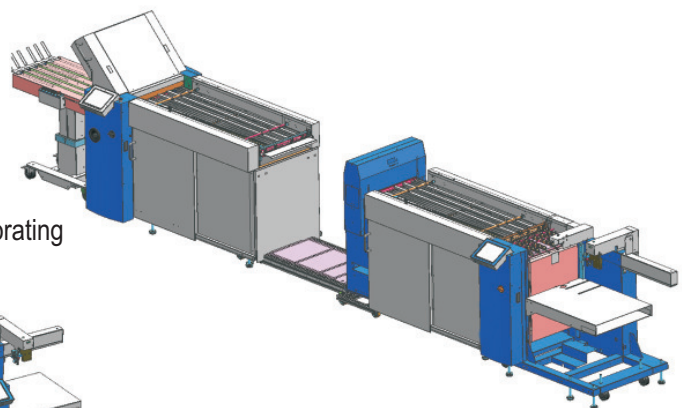
As processing takes place in one single pass, the risk of markings is very small. Moreover, intermediate stacking before folding is no longer necessary. The alignment of the sheets before and after the creasing process also ensures maximum precision.

A special characteristic of this inline system is the high flexibility for the user, because the most diverse production possibilities are available. The creasing and perforating machine can, for example, also be operated as a stand-alone system in connection with a flat pile feeder and the alignment track. The components are installed on a rail system so that the creasing machine can be shifted sideways or the fold unit can be moved in direction of the production, depending on the intended use. The benefits for the user are high productivity and minimum set-up times.

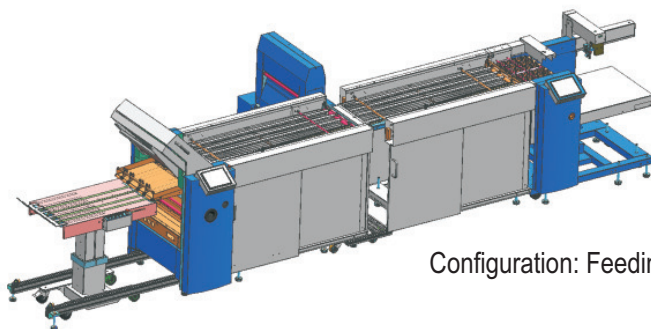
>> Diverse production possibilities for a high degree of flexibility



Configuration: Feeding - Creasing/Perforating - Folding



Configuration: Feeding - Creasing/Perforating



Configuration: Feeding - Folding

